



KAYCEE

BRAND THAT SET THE STANDARDS

TOGGLE SWITCHES UNSEALED & PANEL SEALED



UNSEALED D.P.



UNSEALED S.P.



PANEL SEALED

KAYCEE'S "KT" Series of precision Toggle Switches employ rocker-type contact mechanism. It is housed in an anti-tracking moulded case for dust free performance. Operating lever is sealed for protection against environmental conditions.

SPECIFICATIONS :

1. Conforms to I. S. 3452
2. For Defence use to DEF 5151 & JSS 51201

RANGE :

- a) Position - 2 and 3
- b) Poles - Single and Double
- c) Mounting **Unsealed** 12 mm centre bush
Mounting **Sealed** 15 mm centre bush
- d) Terminals - Screw, Solder and Push - on
- e) Switching Circuits
Large variety with Stay Put and Momentary Contacts.

Suffix for Unsealed and Panel Sealed Toggle Switches.		
Type of Terminals	Unsealed	Panel Sealed
Solder	AY	AYZ
Screw	BY	BYZ
Push-On	CY	CYZ

e.g. KT 1021 AY will represent Single Pole 6 Amp.
OFF-ON switch - with Solder terminals.

SINGLE POLE UNSEALED				
SEQUENCE				
Type	Rating	Pos : 1	Pos:2 CENTRE	Pos : 3
KT 1621	6 Amp.	OFF	--	ON (2-1)
KT 1021	10 Amp.	OFF	--	ON (2-1)
KT 1521	15 Amp.	OFF	--	ON (2-1)
KT 1022	10 Amp.	OFF	--	ON (2-1)*
KT 1631	6 Amp.	ON (2-3)	--	ON (2.1)
KT 1031	10 Amp.	ON (2-3)	--	ON (2-1)
KT 1531	15 Amp.	ON (2-3)	--	ON (2-1)
KT 1632	6 Amp.	ON (2-3)	OFF	ON (2-1)
KT 1032	10 Amp.	ON (2-3)	OFF	ON (2-1)
KT 1532	15 Amp.	ON (2-3)	OFF	ON (2-1)
KT 1033	10 Amp.	ON (2-3)	--	ON (2-1)*
KT1034	10 Amp.	ON (2-3)	OFF	ON (2-1)*
KT 1035	10 Amp.	ON (2-3)*	OFF	ON (2-1)*

DOUBLE POLE UNSEALED				
SEQUENCE				
Type	Rating	Pos : 1	Pos:2 CENTRE	Pos : 3
KT 2641	6 Amp.	OFF	--	ON (2-1)(5-4)
KT 2041	10 Amp.	OFF	--	ON (2-1)(5-4)
KT 2541	15 Amp.	OFF	--	ON (2-1)(5-4)
KT 2042	10 Amp.	OFF	--	ON (2-1)(5-4)*
KT 2661	6 Amp.	ON (2-3) (5-6)	--	ON (2-1)(5-4)
KT 2061	10 Amp.	ON (2-3) (5-6)	--	ON (2-1)(5-4)
KT 2561	15 Amp.	ON (2-3) (5-6)	--	ON (2-1)(5-4)
KT 2662	6 Amp.	ON (2-3) (5-6)	OFF	ON (2-1)(5-4)
KT 2062	10 Amp.	ON (2-3) (5-6)	OFF	ON (2-1)(5-4)
KT 2562	15 Amp.	ON (2-3) (5-6)	OFF	ON (2-1)(5-4)
KT 2063	10 Amp.	ON (2-3) (5-6)	--	ON (2-1)(5-4)*
KT 2064	10 Amp.	ON (2-3) (5-6)	OFF	ON (2-1)(5-4)*
KT 2065	10 Amp.	ON* (2-3) (5-6)	OFF	ON (2-1)(5-4)*

* Indicates Momentary Contract.
No. in Brackets indicates Pole.





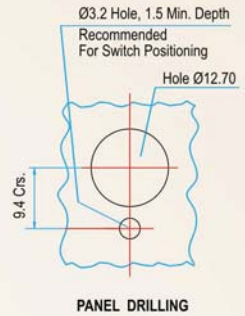
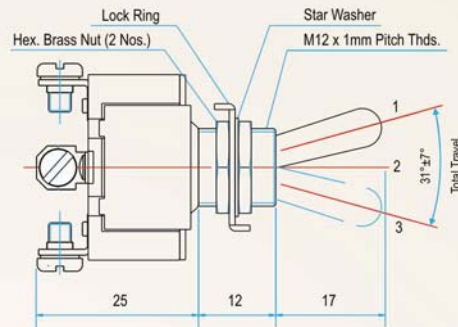
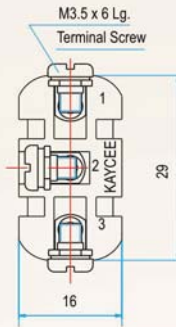
KAYCEE

BRAND THAT SET THE STANDARDS

SPECIFICATIONS

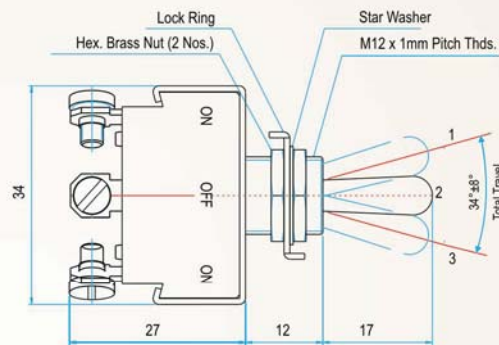
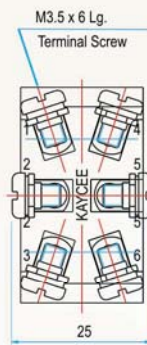
Operation	Toggle Action
Contact Rating	6 Amp-250V AC 10 Amp-250V AC (Resistive)
Screw Terminals	15 Amp-250V AC 15 Amp- 28V DC
Solder Terminals	6 Amp-250V AC 15 Amp-28V DC
Circuitry	Single and Double Throw 2-3 Position with stay put and momentary contacts
Mechanical & Electrical Life Expectancy	20,000 Cycles
Contact Resistance	10m Ω Max.
Insulation Resistance	1000m Ω Min.
Mounting	Centre Bush with suitable Nuts and Washer Unsealed : Threading 12 mm Sealed : Threading 15 mm
Weight	Unsealed : Single Pole 30 gms. (Approx.) Double Pole 40 gms. (Approx.) Sealed Single Poles 48 gms (approx) Double Poles 55 gms (approx)
Thickness of Panel	2-5 mm
Temperature Category	- 40° to 70° C
Sealing	Neoprene Rubber
Operating Force	3.5 kg. Max

SINGLE POLE UNSEALED



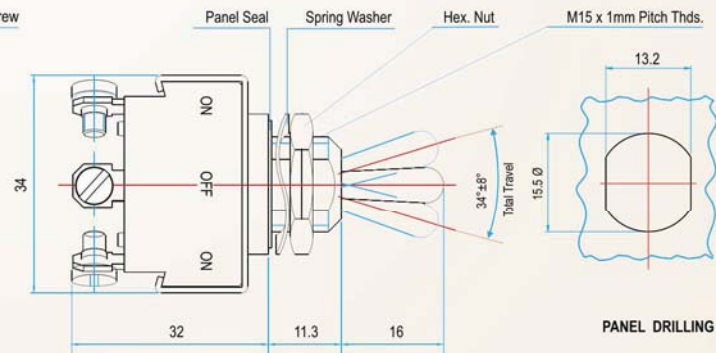
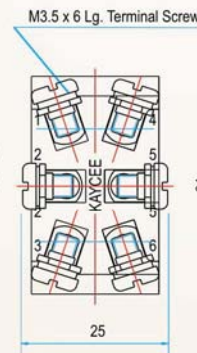
PANEL DRILLING

DOUBLE POLE UNSEALED



PANEL DRILLING

SINGLE / DOUBLE POLE PANEL SEALED



PANEL DRILLING

Product improvement being a continues process at KAYCEE
Product supplied may differ from that illustrate and descried in the literature.



KAYCEE INDUSTRIES LIMITED

32, Ramjibhai Kamani Road, Ballard Estate, Mumbai - 400 001.
Tel : +91 (22) 2261 3521 / 22 / 23 Fax : +91 (22) 2261 6106
E-mail : kayceeindltd@vsnl.com • kaycee_ho@cms.com
Website : www.kayceeindustries.com

BRANCH :

BANGALORE : # 9/2, First Floor, Dhonusa Complex, Residency Road, (Richmond Circle),
Bangalore - 560 001. • Mob.: 9342853324

CHENNAI : CMS Tower, 42, Cathedral Road Chennai - 600 086 • Mob. 93812 01556

KOLKATA : 10/D/2, Hochi Minh Sarani, 1st Floor, Kolkata - 700 071 • Mob. 9339200968

NEW DELHI : 35-A, Rear Building, Near CTC Plaza, Opp. Maharani Bagh,

Ring Road, Kilokari, New Delhi - 110 014. • Mob. 9312004687

INDORE : Mob. 9300751464

REPUTED CUSTOMERS : ABB • Crompton Graves • L & T • Siemens • C & S • BHEL • G E Power • NTPC • ICF • RCF
Areva T & D • Schneider • HMT • Bharti Airtel • Reliance • Jyoti Ltd • Mega Win • BSES • Hindustan Motors • Indian Railways

Document Produced by deskPDF Unregistered :: <http://www.docudesk.com>